



# VL4

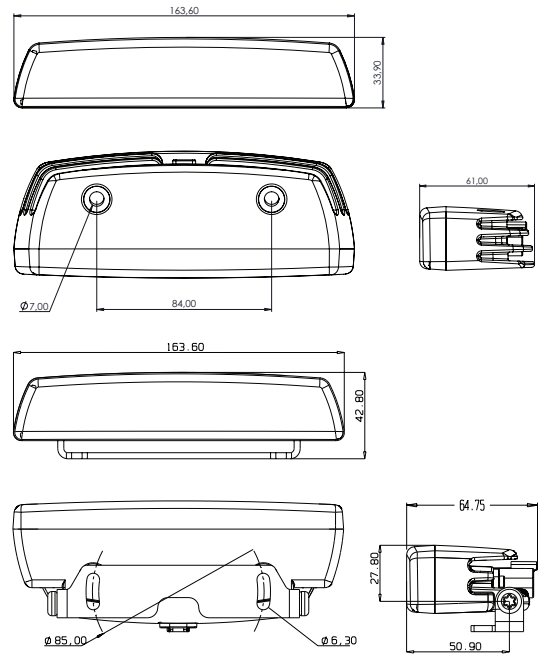
## PRODUCT INFORMATION:

The VL4 has a streamline design for machines with 12-48 volt systems offering up to 2000 effective lumen lights with 4 LEDs. This light, widely used on forklifts, is highly adaptable with a variety alternative uses on ATV's, UTV and snow mobiles as well as buses and coaches and recovery trucks. The VL4 is available with a thru bolt or bracket mount to easily adjust the light to where it is needed and alternative colour LED options in white, green or red. The 825 eLumen version of VL4 is specially designed to be isolated so that the two input wires do not have any electrical connection to the housing of the light, making it ideal for forklift use.



VL4 with thru bolt mounting

VL4 with bracket mounting



- EMC TESTED
- IP 69K
- VIBRATION TESTED
- SALT SPRAY TESTED
- UL RATED OPTIONAL

Operating Temp: -40° to 85°C,  
-40° to 75° C, -40° to 50°C

Light Pattern: Symmetric,  
Asymmetric, High

Lens Material: Plastic

Housing: Cast Aluminium

Mounting Options: Thru Bolt,  
Bracket, Pedestal, Easy Mount

Connector:  
Deutsch (DT04-2P) built in

LUMEN OUTPUT			VOLTAGE			AMP DRAW		Power (Watts)	Colour Temp	CRI	COMPLIANCE / RATING						
Theoretical	Effective	Number of LED'S	Machine	Operating Range		12 Volts	24 Volts				EMC EN55025 / CISPR25	IP69K	Vibration 5-2000Hz 3 Axis	Salt Spray ASTM B117	UL Rated Optional	E Approved Optional	Shock Tested
900	600	4	12-48	9	60	1,2	0,6	15	5700	70	4	•	10 Grms	•	•		
1100	825	4	12-48	9	60	1,2	0,6	15	5700	75	4	•	10 Grms	•	•		
2600	2000	4	12-48	9	60	1,8	0,9	22	5700	70	3	•	10 Grms	•			
2600	2000	4	12-48	9	60	2,0	1,0	24	5700	70	4	•	10 Grms	•			
RED		4	12-48	9	60	1,2	0,6	15	Dominant Wavelength 635nm	NA	4	•	10 Grms	•			
GREEN		4	12-48	9	60	1,2	0,6	15	Dominant Wavelength 530nm	NA	4	•	10 Grms	•			