

# CR06-W

Crown Series Wide Angle Version



## FEATURES

- Unique 6-LED optic design provides wide-angle warning and expanded visibility.
- 4 units offer a 270 degree warning coverage approved to ECE R65, Cat. HT Class 2 (Blue & Red), Class 1 (Amber).
- 1 unit offers a 120 degree warning coverage to meet SAE J845 Class 1.
- Pop-n-Lock: Quick one-step installation with unique snap-on grommet design.
- Featuring independent cruise mode in calmly steady burn.
- All-in-one self-contained for easy and versatile installation without external flasher.
- Multi-units synchronization in simultaneous or alternating flash.
- Reverse polarity protection.
- Weather proof and vibration resistant design for external or internal use.

## SPECIFICATIONS

**Compliance:** ECE R65 Cat. HT Class 2 (Blue & Red), Class 1 (Amber); ECE R10; SAE J595 Class 1; SAE J845 Class 1 (120° Blue & Red; 110° Amber & White);

**IP Rating:** IPX7

**LED Elements:** High Power LED x 6 pcs;

**No. of Warning Patterns:** 17

**Operating Voltage:** 12~24V

**Avg. Current:** 0.84A @12VDC / 0.42A @24VDC  
(varies with flash pattern)

**Avg. Power:** 10.0 Watts (varies with flash pattern)

**Max. Current:** 1.68A @12VDC / 0.81A @24VDC

**Max. Power:** 20.2 Watts

**Wires:** Red-Vcc : 21cm (24AWG)  
Black-GND : 21cm (24AWG)  
White-Low Power Operation: 21cm (24AWG)  
Green-Cruise Mode: 21cm (24AWG)  
Yellow-Flash Patterns & Sync : 21cm (24AWG)

**Fuse Recommended:** 3A

**Multi-Unit Synchronization:** Up to 20 units

**LED Color:** Amber, Blue, Red and White

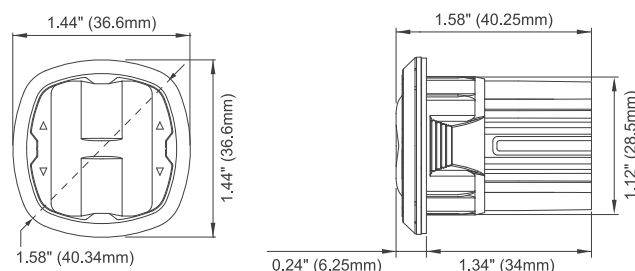
**Lens Color:** Clear

**Storage Temp.:** -40°C to +75°C

**Working Temp.:** -30°C to +65°C

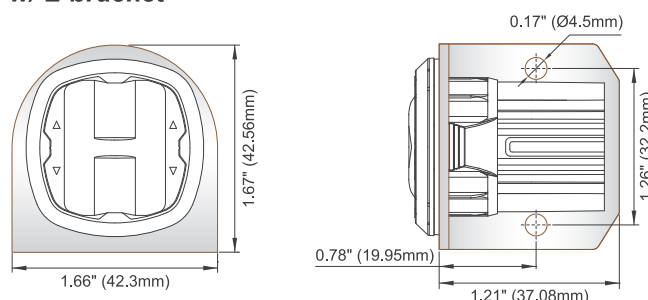
## DIMENSIONS

### w/o L-bracket



Recommended Surface thickness @1.5~4.0mm

### w/ L-bracket



## FLASH PATTERNS

Flash Patterns			
1	Double [R65]*	10	Quad [SAE]
2	Single [2Hz]	11	Quint [SAE]
3	Triple [2Hz]	12	Mega
4	Quad [2Hz]	13	Giga
5	Random	14	Ultra [SAE]
6	Steady EF**	15	Single-Quad
7	Single [SAE][CA13]	16	Single H/L
8	Double [SAE]	17	Single-Triple-Quint
9	Triple [SAE]		

\* Actual approval will be based on the model ordered.

\*\* For use with external flasher controller.



## PART NO.

### 4 Unit Package

- **F016-8131A-000** (ECE R10 & R65 HTA1)
- **F016-8131B-000** (ECE R10 & R65 HTB2)
- **F016-8131R-000** (ECE R10 & R65 HTR2)
- **F016-9131W-000** (ECE R10, White)

### 1 Unit Package

- **F016-7130x-000** (SAE)

#### Replace x for color:

- R = Red
- B = Blue
- A = Amber
- W = White

## ACCESSORIES

### 99-F016M00-000

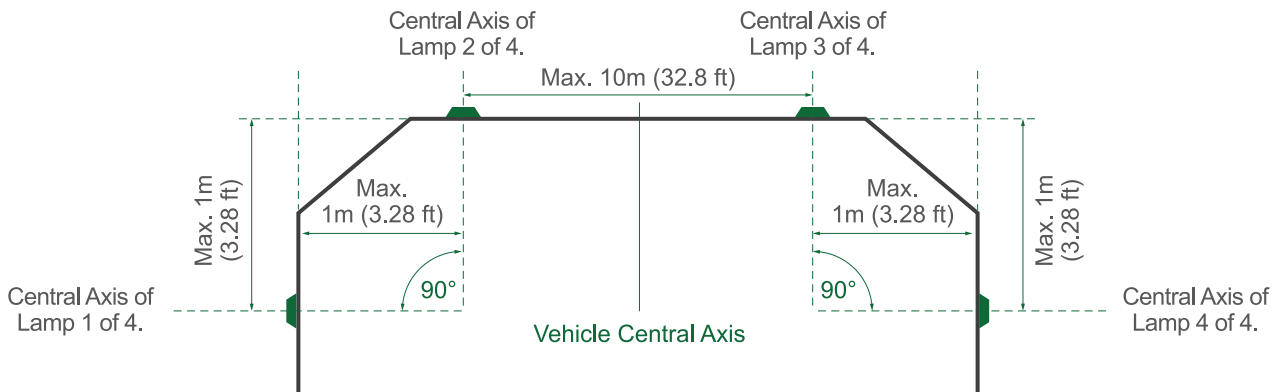
(L-Bracket Mounting Kit)



## APPROVED MOUNTING POSITION

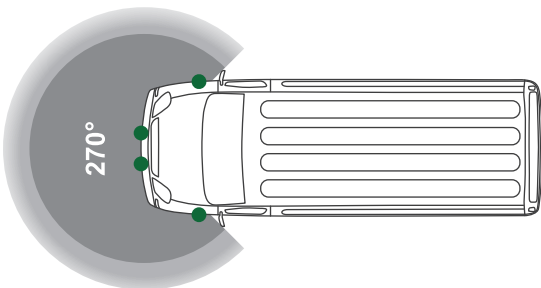
The lighthoods must be set up in a set of four units to meet ECE R65 CAT. HT. Follow the graph and position the lighthood within the required distance and angle to fulfill the approval requirement.

### Category 'HT' -270° Warning Coverage



### Application Examples

#### Front of the Vehicle



#### Rear of the Vehicle

