

# ED6

## EDGE DAGGER

### 6-LED NARROW PROFILE LIGHTHEAD

**Dual Color** 

**Single Color** 



## FEATURES

- An ideal solution for limited space: 13 mm (0.51") in height and 85 mm (3.35") in length.
- Universal Multi-angle Brackets, mounting virtually anywhere.
- Optional Adjustable Bracket with for hood mount application.
- ECE R65 Class 2 (single color) and ECE R65 Class 1 (dual color) homologated light performance. Documentation available upon request.
- Independent Cruise Mode in calmly steady-burn.
- ECE R10 EMC Compliance.
- Multi-unit synchronization in simultaneous or alternating flash.
- Reverse polarity protection.
- Weatherproof and vibration resistant design for external use.

## SPECIFICATIONS

**Compliance:** ECE R65 (XA2, XB2, XR2), Single Color;  
ECE R65 (XA1, XB1, XR1), Dual Color;  
ECE R10;  
SAE J595 Class1; CA Title 13;  
IPX8

**LED Elements:** High-power LED x 6 pcs

**No. of Warning Patterns:** 28 for Dual Color; 18 for Single Color

**Operating Voltage:** 12~24VDC

**Average Current:** 0.6A @12VDC / 0.3A @24VDC, Single Color  
0.3A @12VDC / 0.15A @24VDC, Dual Color  
(varies with flash pattern)

**Max. Current:** 1.2A @12VDC / 0.6A @24VDC, Single Color  
0.6A @12VDC / 0.3A @24VDC, Dual Color

**Average Power:** 7.2W, Single Color  
3.6W, Dual Color  
(varies with flash pattern)

**Max. Power:** 14.4W, Single Color  
7.2W, Dual Color

**Wires:** Red - 20cm (24AWG)  
Black - 20cm (24AWG)  
White - 20cm (24AWG)  
Green - 20cm (24AWG)  
Yellow - 20cm (24AWG)

**Fuse Rating:** 2A for Single Color; 1A for Dual Color

**Synchronization:** up to 20 units

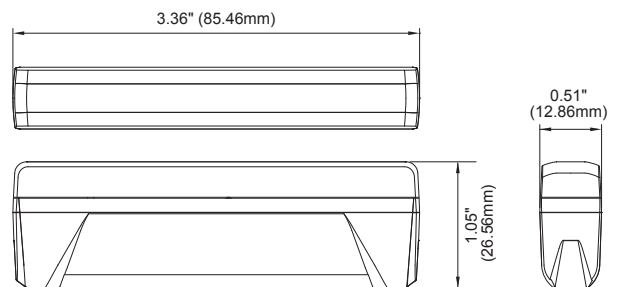
**LED Color:** Red, Blue, Green, Amber, White

**Lens Color:** Clear

**Storage Temp. :** -40°C to +75°C

**Working Temp. :** -40°C to +65°C

## DIMENSIONS



## FLASH PATTERN

Flash Pattern		
1	Double	[2Hz]
2	Single	[2Hz]
3	Triple	[2Hz]
4	Quad	[2Hz]
5	Random	
6	Steady EF*	
7	Single	[SAE/CA13]
8	Double	[SAE]
9	Triple	[SAE]
10	Quad	[SAE]
11	Quint	[SAE]
12	Mega	
13	Giga	
14	Ultra	[SAE]
15	Single-Quad	
16	Single H/L	
17	Single-Triple-Quint	
18	Steady Scene	
19	Single-Single	
20	Double-Double	
21	Triple-Triple Mid	
22	Triple-Triple Fast	
23	Quint-Triple	
24	7-1 Flash	
25	7-1 Flash #	
26	Quad-Single	
27	Quad-Single #	
28	Quint-Quint	

FP#19~28 available on dual color models only.

\* For use with external flash controller.

# Inverted color mode.

## PART NO.

- **M077-4013A-000** (ECE R10 & R65 Class 2, Amber)
- **M077-4013B-000** (ECE R10 & R65 Class 2, Blue)
- **M077-4013R-000** (ECE R10 & R65 Class 2, Red)
- **M077-3013G-000** (ECE R10, Green)
- **M077-3013W-000** (ECE R10, White)
- **M077-2013x-000** (ECE R10 & R65 Class 1)
- **M077-1013y-000** (SAE)

### Replace x for color:

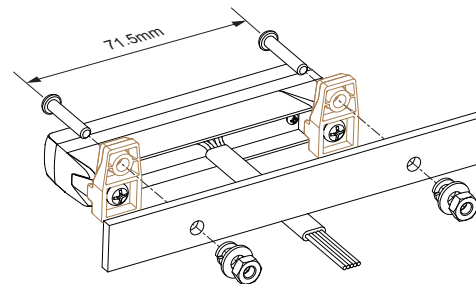
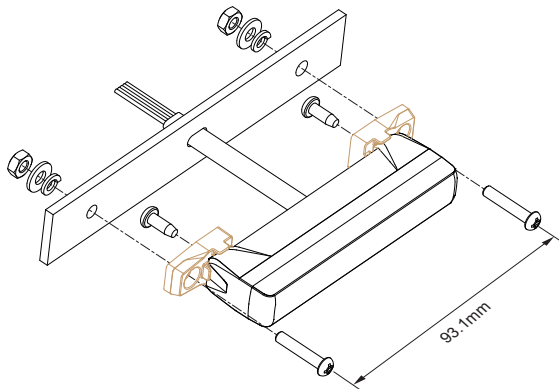
K = Amber/White  
 Q = Red/Blue      J = Red/Amber      U = Red/White  
 D = Blue/Amber      T = Blue/White  
 M = Green/Amber \*  
 \* MOQ = 50 pcs

### Replace y for color:

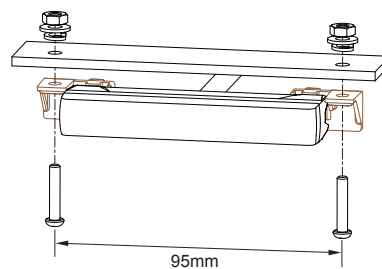
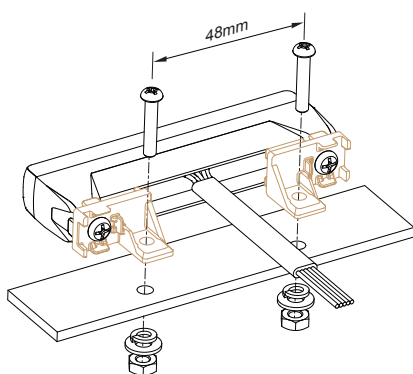
A = Amber      K = Amber/White  
 B = Blue      D = Blue/Amber      T = Blue/White  
 R = Red      Q = Red/Blue      J = Red/Amber      U = Red/White  
 G = Green      M = Green/Amber \*  
 W = White  
 \* MOQ = 50 pcs

## INCLUDED MOUNTING BRACKETS

### Universal Bracket (Multi-Angle)



### L-Bracket (Front / Rear)



## OPTIONAL ACCESSORY

### ADJUSTABLE BRACKET

(99-M077M00-000)

