

RADIANT - LED LIGHTBAR



Wireless remote included
with all models ✓



PATENT NO. : ZL 2019 2 1501396.2



ECE R10 / ECE R65 Class2 / CISPR25 Class3 / CE / ROHS
SAE J845 Class1



IP67



AMBER



10-30V



-40°C ~ + 65°C

69185 (775 mm.)



69186 (929 mm.)



69187 (1.082 mm.)



69188 (1.236 mm.)



69189 (1.389 mm.)



69190 (1.542 mm.)



69191 (1.696 mm.)



69192 (1.849 mm.)



69193 (2.003 mm.)



69194 (2.156 mm.)



FEATURES

- Virtually no RFI/EMI radiation
- Fully encapsulated for moisture, vibration and corrosion resistance
- 25.5mm ultra-thin body with low air resistance
- Innovative PC cover and PC lens all-in-one design
- High quality COB ensure constant diffuse lighting output
- Plug and play module for easy maintenance
- Flash patterns can be customized
- 2-year warranty

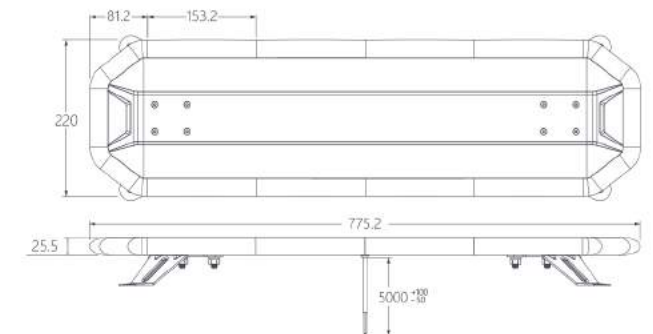
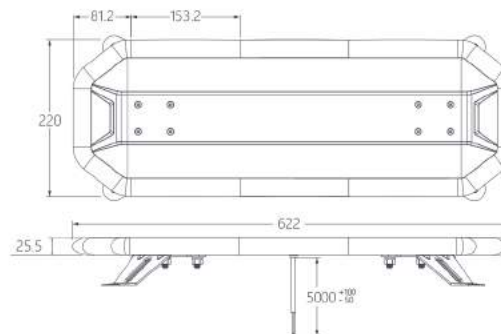
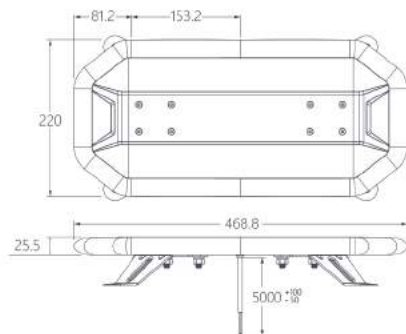
DATASHEET

Picture



Input Voltage	10~30V	10~30V	10~30V
Current Draw	12V@8.50A, 24V@4.25A	12V@ 10.50A, 24V@5.00A	12V@ 12.00A, 24V@5.5AA
LED Qty.	4x8.0W/COB+4x4W/COB+2x15W/ COB	6x8.0W/COB+4x4W/COB+2x15W/ COB	8x8.0W/COB+4x4W/COB+2x15W/ COB
Approvals	ECE R65 Class2 / ECE R10 / CISPR25 Class3 / SAE J845 Class1 / CE / ROHS	ECE R65 Class2 / ECE R10 / CISPR25 Class3 / SAE J845 Class1 / CE / ROHS	ECE R65 Class2 / ECE R10 / CISPR25 Class3 / SAE J845 Class1 / CE / ROHS
IP Rating	IP67	IP67	IP67
Operating Temp.	-40°C ~ + 65°C	-40°C ~ + 65°C	-40°C ~ + 65°C
Flash Patterns	13 Flash Patterns	13 Flash Patterns	13 Flash Patterns
Visibility	360°	360°	360°
Lens Material	polycarbonate	polycarbonate	polycarbonate
Housing Material	aluminium	aluminium	aluminium
Connection	5000mm Cable	5000mm Cable	5000mm Cable
Warranty	2 years	2 years	2 years
Fixture Type	bracket	bracket	bracket
Weight	3.59 kg	4.43 kg	5.34 kg
Package Size	Inner box: 720*270*55mm / Outer box: 730X280X240mm	Inner box: 870x270x55mm / Outer box: 890X280X240mm	Inner box: 1020x270x55mm / Outer box: 1040*280*180mm
PCS/CTN	4	4	3

Product Size



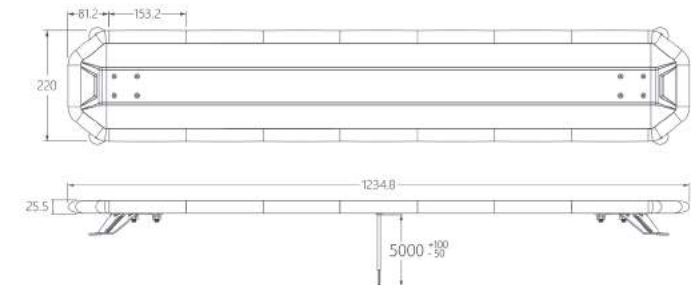
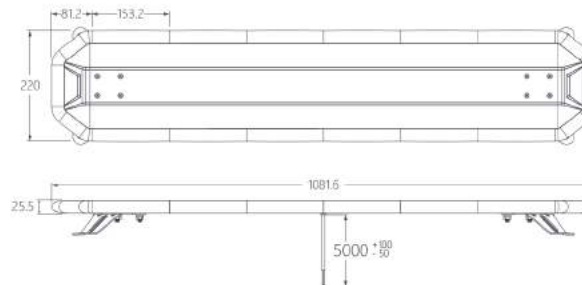
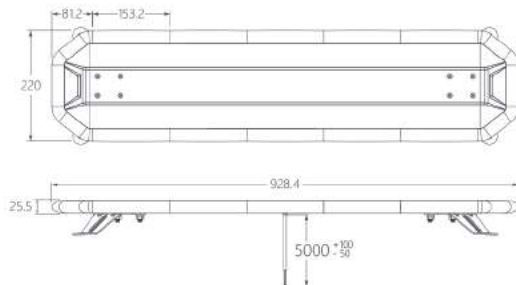
DATASHEET

Picture



Input Voltage	10~30V	10~30V	10~30V
Current Draw	12V@ 13.50A, 24V@6.00A	12V@ 14.50A, 24V@6.50A	12V@ 15.00A, 24V@7.00A
LED Qty.	10x7.0W/COB+4x3.5W/COB+2x15W/ COB	12x6.7W/COB+4x3.5W/COB+2x15W/ COB	14x6.5W/COB+4x3W/COB+2x15W/ COB
Approvals	ECE R65 Class2 / ECE R10 / CISPR25 Class3 / SAE J845 Class1 / CE / ROHS	ECE R65 Class2 / ECE R10 / CISPR25 Class3 / SAE J845 Class1 / CE / ROHS	ECE R65 Class2 / ECE R10 / CISPR25 Class3 / SAE J845 Class1 / CE / ROHS
IP Rating	IP67	IP67	IP67
Operating Temp.	-40℃~ + 65℃	-40℃~ + 65℃	-40℃~ + 65℃
Flash Patterns	13 Flash Patterns	13 Flash Patterns	13 Flash Patterns
Visibility	360°	360°	360°
Lens Material	polycarbonate	polycarbonate	polycarbonate
Housing Material	aluminium	aluminium	aluminium
Connection	5000mm Cable	5000mm Cable	5000mm Cable
Warranty	2 years	2 years	2 years
Fixture Type	bracket	bracket	bracket
Weight	6.08 kg	6.75 kg	7.37 kg
Package Size	1180*300*55mm	1340*300*55mm	1500*300*55mm
PCS/CTN	1	1	1

Product Size



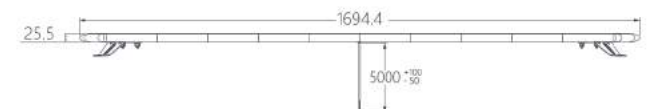
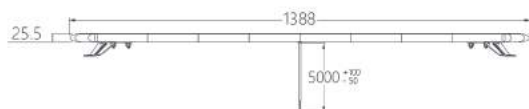
DATASHEET

Picture



Input Voltage	10~30V	10~30V	10~30V
Current Draw	12V@ 16.00A, 24V@7.30A	12V@ 16.50A, 24V@7.50A	12V@16.80A, 24V@7.80A
LED Qty.	16X6.0W/COB+4x3W/COB+2x15W/ COB	18x5.5W/COB+4x2.7W/COB+2x15W/ COB	20x5.2W/COB+4x2.5W/COB+2x15W/ COB
Approvals	ECE R65 Class2 / ECE R10 / CISPR25 Class3 / SAE J845 Class1 / CE / ROHS	ECE R65 Class2 / ECE R10 / CISPR25 Class3 / SAE J845 Class1 / CE / ROHS	ECE R65 Class2 / ECE R10 / CISPR25 Class3 / SAE J845 Class1 / CE / ROHS
IP Rating	IP67	IP67	IP67
Operating Temp.	-40℃~ + 65℃	-40℃~ + 65℃	-40℃~ + 65℃
Flash Patterns	13 Flash Patterns	13 Flash Patterns	13 Flash Patterns
Visibility	360°	360°	360°
Lens Material	polycarbonate	polycarbonate	polycarbonate
Housing Material	aluminium	aluminium	aluminium
Connection	5000mm Cable	5000mm Cable	5000mm Cable
Warranty	2 years	2 years	2 years
Fixture Type	bracket	bracket	bracket
Weight	8.03 kg	8.77 kg	9.56 kg
Package Size	1640*300*60mm	1800*300*60mm	1940*300*60mm
PCS/CTN	1	1	1

Product Size



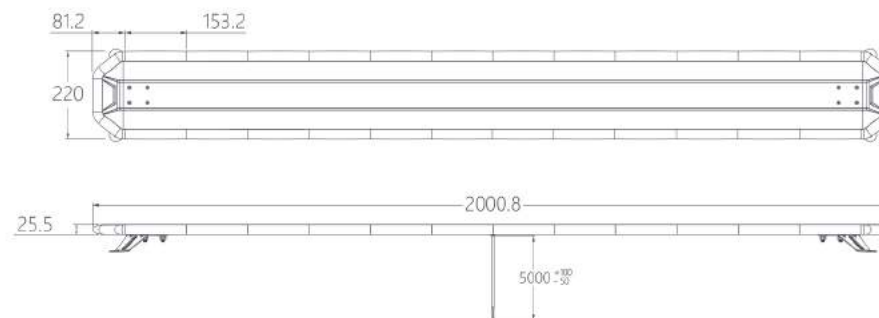
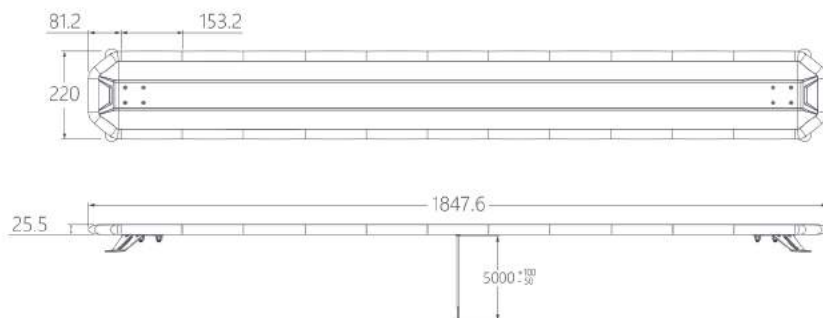
DATASHEET

Picture



Input Voltage	10~30V	10~30V
Current Draw	12V@17.00A, 24V@8.20A	12V@17.30A, 24V@8.30A
LED Qty.	22x5.0W/COB+4x2.5W/COB+2x15W/ COB	24X4.5W/COB+4x2.2W/COB+2x15W/ COB
Approvals	ECE R65 Class2 / ECE R10 / CISPR25 Class3 / SAE J845 Class1 / CE / ROHS	ECE R65 Class2 / ECE R10 / CISPR25 Class3 / SAE J845 Class1 / CE / ROHS
IP Rating	IP67	IP67
Operating Temp.	-40℃~ + 65℃	-40℃~ + 65℃
Flash Patterns	13 Flash Patterns	13 Flash Patterns
Visibility	360°	360°
Lens Material	polycarbonate	polycarbonate
Housing Material	aluminium	aluminium
Connection	5000mm Cable	5000mm Cable
Warranty	2 years	2 years
Fixture Type	bracket	bracket
Weight	10.34 kg	11.08 kg
Package Size	2100*300*60mm	2240*300*60mm
PCS/CTN	1	1

Product Size



DATASHEET

Picture



Input Voltage	10~30V	10~30V
Current Draw	12V@17.50A, 24V@8.40A	12V@18.00A, 24V@8.50A
LED Qty.	26x4.2W/COB+4x2.0W/COB+2x15W/ COB	28x4W/COB+4x2.0W/COB+2x15W/ COB
Approvals	ECE R65 Class2 / ECE R10 / CISPR25 Class3 / SAE J845 Class1 / CE / ROHS	ECE R65 Class2 / ECE R10 / CISPR25 Class3 / SAE J845 Class1 / CE / ROHS
IP Rating	IP67	IP67
Operating Temp.	-40 °C ~ + 65 °C	-40 °C ~ + 65 °C
Flash Patterns	13 Flash Patterns	13 Flash Patterns
Visibility	360°	360°
Lens Material	polycarbonate	polycarbonate
Housing Material	aluminium	aluminium
Connection	5000mm Cable	5000mm Cable
Warranty	2 years	2 years
Fixture Type	bracket	bracket
Weight	11.93 kg	12.92 kg
Package Size	2400x300x60mm	2560*300*60mm
PCS/CTN	1	1

Product Size

