



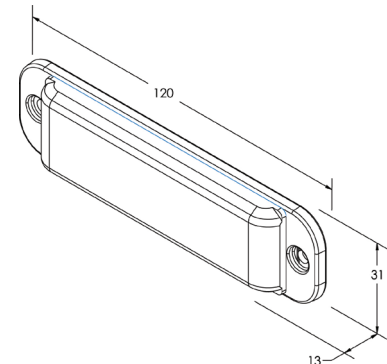
## DIRECTIONALS



### ED3701 & ED3702 Series Split & Dual Colour Surface Mount

ED3701 and ED3702 directional LEDs are bright and versatile warning lights that are suited to a wide variety of applications. Their ultra-low profile makes them easy to install virtually anywhere on a vehicle. Both models offer wide angle optics and multiple flash patterns, including synchronisation with other units for simultaneous or alternating operation. ED3701 models feature 6 LEDs and are available in either single colour or split-colour configurations (3 LEDs of each colour). The ED3702 is a dual-colour light featuring 12 LEDs (6 of each colour) and available in 7 colour configurations.

#### Dimensions



#### Models

| PART NO. | COLOURS     | VOLTAGE | AMPS |
|----------|-------------|---------|------|
| ED3701A  | Amber       | 12-24   | 0.9  |
| ED3701B  | Blue        | 12-24   | 0.9  |
| ED3701C  | Clear       | 12-24   | 0.9  |
| ED3701G  | Green       | 12-24   | 0.9  |
| ED3701R  | Red         | 12-24   | 0.9  |
| ED3701AB | Amber/Blue  | 12-24   | 0.9  |
| ED3701AC | Amber/Clear | 12-24   | 0.9  |
| ED3701AG | Amber/Green | 12-24   | 0.9  |
| ED3701AR | Amber/Red   | 12-24   | 0.9  |
| ED3701BC | Blue/Clear  | 12-24   | 0.9  |
| ED3701RB | Red/Blue    | 12-24   | 0.9  |
| ED3701RC | Red/Clear   | 12-24   | 0.9  |
| ED3702AB | Amber/Blue  | 12-24   | 1.5  |
| ED3702AC | Amber/Clear | 12-24   | 1.5  |
| ED3702AG | Amber/Green | 12-24   | 1.5  |
| ED3702AR | Amber/Red   | 12-24   | 1.5  |
| ED3702BC | Blue/Clear  | 12-24   | 1.5  |
| ED3702RB | Red/Blue    | 12-24   | 1.5  |
| ED3702RC | Red/Clear   | 12-24   | 1.5  |

#### Features and Benefits

- Six or 12 high-intensity LEDs
- Ultra low-profile
- ED3701: single or split colour options
- ED3702: dual colour warning
- Single and split colour models feature 13 flash patterns with 29 modes
- Dual colour models feature 12 flash patterns with 62 modes
- Synchronisable
- Die cast base, polycarbonate lens
- Surface mount
- Temperature Range: -30°C to +50°C