

## DC Combi light



### applications

- Vehicles
- Aircraft
- Ships
- Shelters and Tents
- Area Lighting

### benefits

- Excellent resistance to shock and vibration
- High reliability and durability
- No requirement to replace tubes or bulbs
- Through-life cost savings over fluorescent and incandescent
- 1/3 of the power requirement for equivalent incandescent lights

### features

- Low profile LED light
- Dual mode - main and blackout lighting
- White light with red, green or blue blackout mode
- Lightweight
- 50,000 hours mean time between failure
- Available with or without dimming control
- Sealed low energy light source
- Qualified to EMC standard DEF-STAN 59-411 Land Class B\*
- Qualified to Input Voltage standard DEF-STAN 61-5 Part 5

Oxley has developed a range of low profile LED lights to satisfy a variety of requirements for robust, reliable and high performance lighting systems.

The DC Combi range is a series of high quality LED solutions for new build and retro-fit projects. Unique in design, the low profile and light weight units deliver white light plus an integrated blackout mode in a choice of colours.

These lights have many advantages compared to traditional incandescent and fluorescent lighting. In areas with limited space, the low profile design increases the available headroom. LED technology makes this a fit and forget solution, reducing overall costs through extended working life.

The DC Combi was originally designed for military vehicles and is also suitable for military field shelters, temporary work space lighting and naval/marine area lighting.

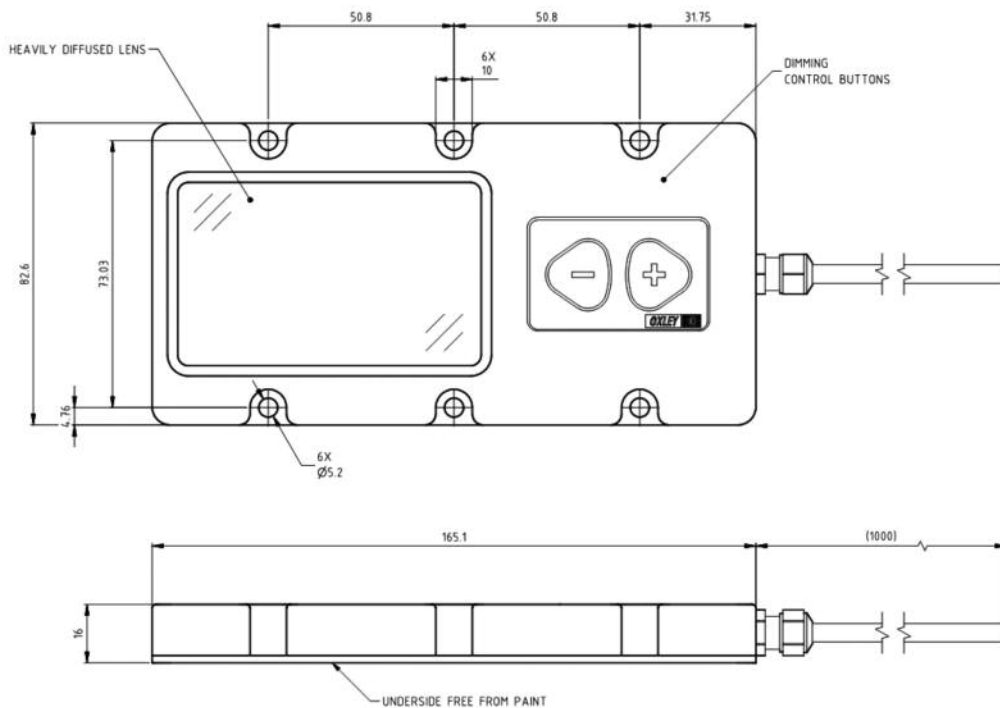
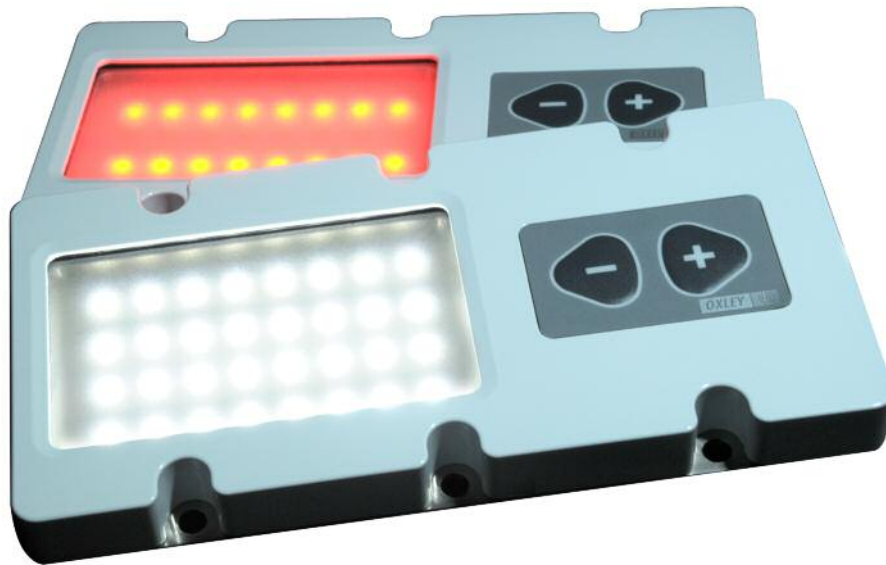
The Series 2 unit was developed for vehicle cab use, it has additional inputs for a door switch and ignition input. The unit also has a programming input to allow configuration by the customer. This unit has been fully qualified not only to Military DEF standards but also is E marked for road going vehicles.

The Series 3 unit features a MIL-38999 connector and meets the very stringent power input requirements of DEF-STAN 61-5 Part 6, Issue 6. It also features a separate electrically isolated input, which can be used for blackout mode selection.

\*Unit complies with Land Class A for Conducted Emissions

**Series 1**

Lightweight - 300g • Low Profile LED Light - 16mm



Part number	colour	output lumens (typ)	dimensions (mm)	blackout mode	input volts dc
OXLEDCP40357-WR	white	1100	165 x 73 x 16	red	13 - 32
OXLEDCP40357-WG	white	1100	165 x 73 x 16	green	13 - 32
OXLEDCP40357-WB	white	1100	165 x 73 x 16	blue	13 - 32

Minimum dim level will be approximately 5% of full brightness (55 lumens)

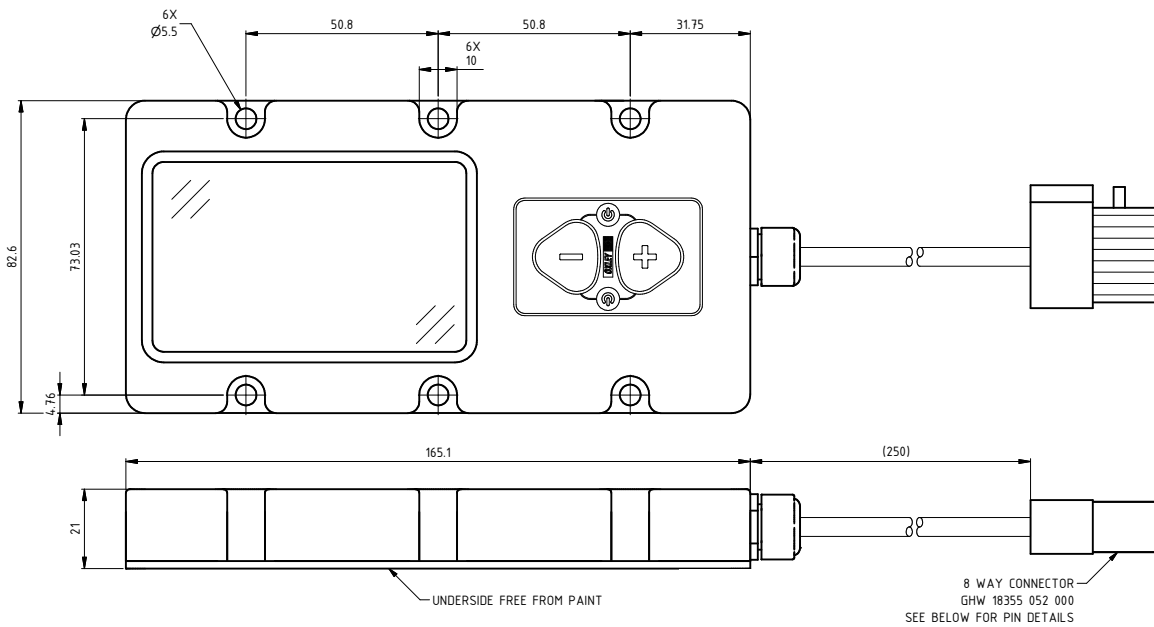
## Series 2

Lightweight - 350g • Low Profile LED Light - 21mm



### additional features

- Dimmable in both normal and blackout modes
- User selectable blackout mode using programming mode
- Door and ignition switch inputs to control light mode



Part number	colour	output lumens (typ)	dimensions (mm)	blackout mode	input volts dc
OXLED42005	white	500	165 x 82.6 x 21	red/green/blue	13 - 32

Minimum dim level will be approximately <1% of full brightness

## Series 3

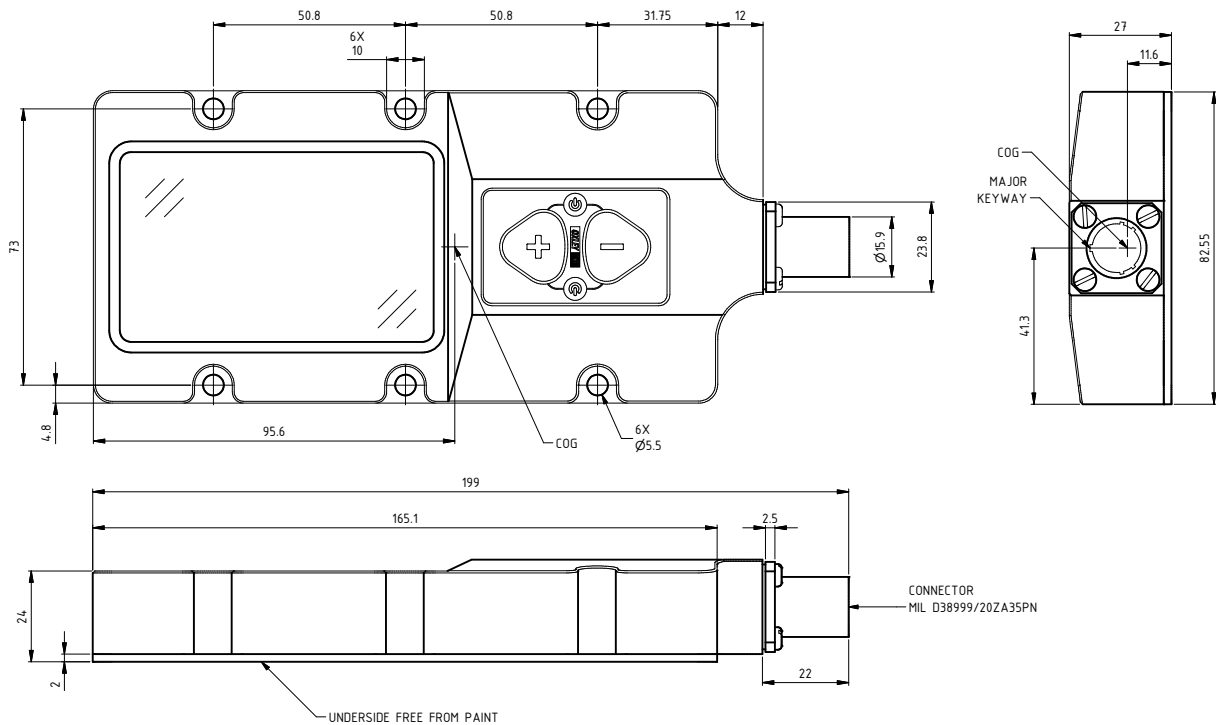
Lightweight - 460g • Low Profile LED Light - 27mm

*Note: This version does not offer the external dimming feature with the exception of the NVIS White which has PWM external dimming*



### additional features

- Dimmable in both normal and blackout modes
- Brightness storage retention when switching between modes
- Blackout mode where the light is off
- Forced mode where the light provides a pre-determined level of white light
- Warm and Cool White versions available
- Fitted with MIL-38999 connector
- Tactical mode where the light provides a low level of red, green, blue or NVIS White light



Example configuration and part number

Part number	colour	output lumens (typ)	dimensions (mm)	tactical mode	input volts dc
OXLELEDPC40688	white	1100	199 x 73 x 27	red	18 - 32

Minimum dim level will be approximately <1% of full brightness

### Oxley Developments Company Ltd

Priory Park Ulverston Cumbria LA12 9QG United Kingdom  
t: +44 (0) 1229 483226 f: +44 (0) 1229 581851 e: sales@oxleygroup.com

### Oxley Inc

31 Business Park Drive Branford CT 06405 USA  
t: +1 (203) 488 1033 f: +1 (203) 481 6971 e: info@oxleygroup.com

Company Approvals: BS EN ISO 9001:2008 • BS EN 9100: Rev C • BS EN ISO 14001:2004